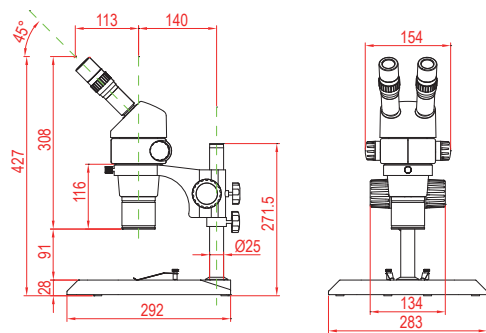


MZPS0850 系列平行光路连续变倍体视显微镜

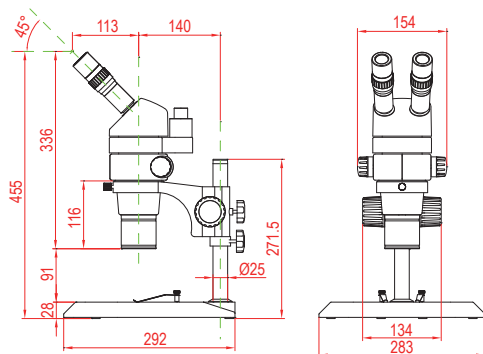
Series Parallel Optical Zoom Stereo Microscopes



MZPS0850+SD1



MZPS0850T+SD1



- 包括MZPS0850（双目），MZPS0850T（三目）
- 采用平行光学系统，主体连续变倍范围0.8X~5X
- 平行光路设计，成像平坦，大景深，长工作距离，附件丰富
- 广泛用于科学研究、生物、医药、环境、农林、公安、微电子、半导体等高精度方面的要求

- ◆ MZPS0850(binocular) and MZPS0850T (trinocular)
- ◆ Parallel optical system, zoom body magnification range : 0.8X~5X
- ◆ Orthoscopic image, large depth of field, long working distance, available to attach various accessories
- ◆ Widely used in science research, modern biology, medicine, environment, farming, police, micro-electronics, semiconductors and etc which require high precision

MZPS0850 series

技术规格 Technology Specifications

变倍方式 / Zoom driver	平行光路系统, 0.8X~5X连续变倍镜体 / Parallel optical system, 0.8X~5X continuous zoom body
放大倍率 / Magnification	标准总放大倍率8X~50X, 最大放大倍率225X Standard total magnification: 8X~50X, the max. magnification: 225X.
目镜 / Eyepiece	高眼点广角目镜(10X, Φ22 mm) / High eye point and wide field eyepieces(10X, Φ22mm).
物镜 / Objective	1X平场物镜 / 1X Plane objective
工作距离 / WD	91mm
瞳距调节范围(用10X 目镜) Interpupillary distance adjustment range (10X eyepiece)	52mm~76mm
视度调节范围 / Diopter adjustment range	±6°
调焦范围 / Focus range	50mm (方立柱时为100mm / Track stand: 100mm)
双目镜筒 / Binocular eyetubes	倾斜45° / Inclined 45°
支架与主机配合尺寸 The holder and the head matching dimension	Φ76mm
立柱中心到支架中心尺寸 Distance between the center of the pole and the center of the holder	140mm
圆立柱尺寸 / Diameter of the pole	Φ25mm
中心工作台直径 / Diameter of the center working stage	Φ95mm

光学参数 Optical Specifications

目镜 Eyepiece	项目 / Item	物镜 / Objective			
		0.5X	0.7X	1X	1.5X (附加 / Auxiliary)
10X	总放大倍数 / Total Mag.	4X~25X	5.6X~35X	8X~50X	12X~75X
	视场直径 / FOV (mm)	Φ55~Φ8.8	Φ39.3~Φ6.3	Φ27.5~Φ4.4	Φ18.33~Φ2.93
15X	总放大倍数 / Total Mag.	6X~37.5X	8.4X~52.5X	12X~75X	18X~112.5X
	视场直径 / FOV (mm)	Φ42.5~Φ6.8	Φ30.36~Φ4.86	Φ21.25~Φ3.4	Φ14.17~Φ2.27
20X	总放大倍数 / Total Mag.	8X~50X	11.2X~70X	16X~100X	24X~150X
	视场直径 / FOV (mm)	Φ35~Φ5.6	Φ25~Φ4	Φ17.5~Φ2.8	Φ11.67~Φ1.87
30X	总放大倍数 / Total Mag.	12X~75X	16.8X~105X	24X~150X	36X~225X
	视场直径 / FOV (mm)	Φ22.5~Φ3.6	Φ16.1~Φ2.57	Φ11.25~Φ1.8	Φ7.5~Φ1.2
工作距离WD (mm)		186	135	91	40

注: 1. 当使用1.5X附加大物镜时需和1X平场大物镜一起使用 2. 使用0.5X以下倍率附加大物镜时, 不能使用方立柱底座组。

NOTES: 1. Please use 1X plane objective together when using 1.5X auxiliary objective. 2. When 0.5X or lower magnification auxiliary objective applied, track stands cannot be used.



可选附件 Optional Accessories

	底座组 Stands	SD1~SD18		数码相机接头 Digital camera adapter	DT01
	万能支架 Universal stands	U1, U2, U3, U4, U1c, U2c, U3c		显微摄影装置 Digital camera adapter	PT02
	目镜 Eyepieces	WF5X, WFH10X, SWF15X, SWF20X, SWF30X		1X带测微尺CCD接头 1X CCD adapter with micrometer	CDM1.0
	分划目镜 Divisional eyepieces	WFH10X-CM0.1XY SWF15X-CM0.05XY SWF20X-CM0.05XY		辅助光源 Auxiliary illuminators	ML01, ML02, MLR60, LGY-150Ω
	平场、消色差大物镜 Plane achromatic objectives	PS-W0.5, PS-W0.7, PS-WP1.0, PS-W1.5		宝石专用装置 Dark field attachment and Gem clamp	DC01, CJ01
	CCD接头 CCD adapters	C0.3-S、C0.5-S、C1.0-S		机械载物台 Mechanical stage	S7650, S10086

注：MZPS0850用的方立柱底座与标准底座不同，后面加字母“P”表示。例如：SD4要改为平行光路体视用即SD4P。

NOTES: The track stand for MZPS0850 is different from the standard, and identified as "p", for example, if SD4 used for parallel stereo microscopes, it will be indicated as SD4P.

特色附件 Feature accessories

大物镜 / Objectives

- 0.5X消色差大物镜PS-W0.5, 工作距离186mm
- 0.7X消色差大物镜PS-W0.7, 工作距离135mm
- 1X平场消色差大物镜PS-WP1.0, 工作距离91mm
- 1.5X消色差附加大物镜PS-W1.5, 工作距离40mm (接在PS-WP1.0下使用)
- ◆ 0.5X achromatic objective PS-W0.5, working distance: 186mm
- ◆ 0.7X achromatic objective PS-W0.7, working distance: 135mm
- ◆ 1X plane achromatic objective PS-WP1.0, working distance: 91mm
- ◆ 1.5X achromatic auxiliary objective PS-W1.5, working distance: 40mm.(Be used with PS-WP1.0 together)



三目分光组 / Trinocular beam splitter

- PS-T 拉杆式三目分光组, 目镜观察为: 左100%, 右0% (或100%) 透光
- PS-T1三目分光组, 目镜观察为: 左50%, 右50%透光
- ◆ PS-T tension bar trinocular beam splitter' permeant light ratio throught the eyepiece observation: Left 100%, right 0%
- ◆ PS-T1 trinocular beam splitter' permeant light ratio throught the eyepiece observation: Left 50%, right 50%



其它配置机型示例 Adopt With Different Accessories Example



MZPS0850T+SD2+C1.0-S+CCD



MZPS0850T+SD1+S7650



MZPS0850+U3+SF1+MLR60B



MZPS0850T+SD2+PT02+Camera