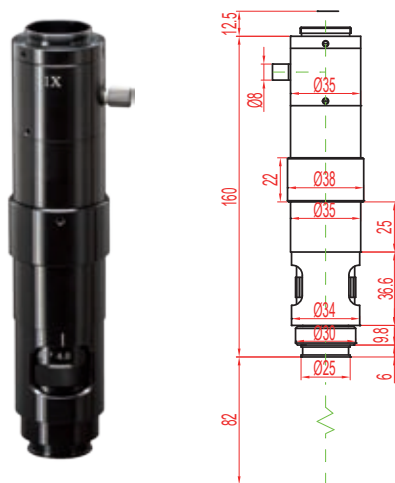
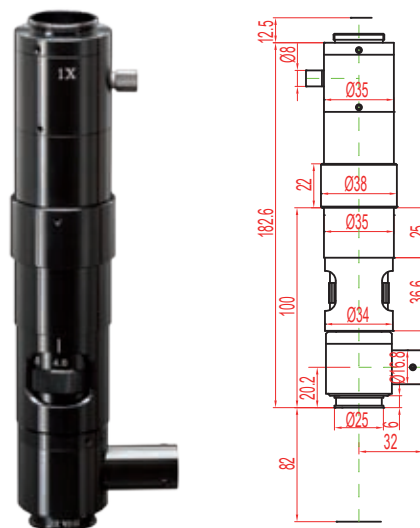


### MZDV0640



### MZDV0640C



- 无穷远光学系统设计，外型短小美观,景深大，全程齐焦，可设置定格定倍
  - 附件丰富，可选多种倍率CCD接头和多种倍率物镜，同轴照明
  - 包括MZDV0640、MZDV0640C
  - 广泛应用于半导体设备，特别适用于二维、三维测量系统
- ◆ Infinity Optical system design, short and beautiful, large depth of field, can be with detent.
  - ◆ Enriched accessories, various CCD adapters, magnification objectives, coaxial illumination are available.
  - ◆ MZDV0640, MZDV0640C
  - ◆ Widely applied in semiconductor equipments, especially suitable in two-dimensional,three-dimensional measurement systems

MZDV0640 series

### 技术规格 Technology Specifications

物镜连续变倍范围 zoom range	0.6X~4.0X
变倍比 Zoom ratio	6.7: 1
标准工作距离 WD	82mm (1X物镜 / 1X Objective)
照明 Illumination	可调光高亮度长寿命LED同轴照明；LED环形灯照明 Adjustable high brightness , long life LED coaxial illumination; LED ring illumination
主机与支架配合尺寸 Holder and Main body matched dimension	Φ35mm
接口 Mount	标准CS接口（支承面到CCD靶面距离为12.5mm） Standard CS-mount (distance between the bearing surface and the CCD plane is 12.5mm)

### 光学参数 Optical Specifications

物镜 Objective	项目 Items	CCD接头 / CCD adapter			
		0.5X	1X	1.5X	2X
0.3X WD:293mm	总光学放大倍率 / Total Mag.	0.09X~0.6X	0.18X~1.2X	0.27X~1.8X	0.36X~2.4X
	视场范围 / FOV(mm)	40X53.33~6X8	20X26.67~3X4	13.33X17.78~2X2.67	10X13.33~1.5X2
0.5X WD:175mm	总光学放大倍率 / Total Mag.	0.15X~1X	0.3X~2X	0.45X~3X	0.6X~4X
	视场范围 / FOV(mm)	24X32~3.6X4.8	12X16~1.8X2.4	8X10.67~1.2X1.6	6X8~0.9X1.2
0.75X WD:117mm	总光学放大倍率 / Total Mag.	0.225X~1.5X	0.45X~3X	0.675X~4.5X	0.9X~6X
	视场范围 / FOV(mm)	16X21.33~2.4 X3.2	8X10.67~1.2X1.6	5.33X7.11~0.8X1.07	4X5.33~0.6X0.8
1X WD:82mm	总光学放大倍率 / Total Mag.	0.3X~2X	0.6X~4X	0.9X~6X	1.2X~8X
	视场范围 / FOV(mm)	12X16~1.8X2.4	6X8~0.9X1.2	4X5.33~0.6X0.8	3X4~0.45X0.6
1.5X WD:54mm	总光学放大倍率 / Total Mag.	0.45X~3X	0.9X~6X	1.35X~9X	1.8X~12X
	视场范围 / FOV(mm)	8X10.67~1.2X1.6	4X5.33~0.6X0.8	2.67X3.56~0.4X0.53	2X2.67~0.3X0.4
2X WD:35mm	总光学放大倍率 / Total Mag.	0.6X~4X	1.2X~8X	1.8X~12X	2.4X~16X
	视场范围 / FOV(mm)	6X8~0.9X1.2	3X4~0.45X0.6	2X2.67~0.3X0.4	1.5X2~0.23X0.3






变倍主体连续变倍范围 / Zoom body magnification range: 0.6X~4.0X

MZDV0640 series

倍率 mag.	NA	景深 DOF	分辨率 Resolution	TV失真 / TV Distortion	
				1X CCD 接头 1X CCD adapter	1X 平场 CCD 接头 1X CCD plane adapter
0.6X	0.021	3.2mm	16μm	0.5%	0.05%
2.0X	0.068	0.29mm	4.9μm	0.4%	0.07%
4.0X	0.097	0.10mm	3.5μm	0.3%	0.04%

安装尺寸 / Mounting dimension:  $\Phi 45\text{mm}$   
 最大兼容相机 / Max compatible camera: 1/2"  
 CCD螺纹接口 / Screw mount: 1英寸32扣  
 1 inch 32 button

### 可选附件 Optional Accessories

	辅助光源 Auxiliary illuminators	MLC100A, MLC1000A
	CCD接头 CCD adapters	0.5X, 1.0X(标准配置 standard outfits), 1.5X, 2.0X 1X平场 / 1X plane
	物镜 Objectives	0.3X, 0.5X, 0.75X, 1.0X(标准配置 standard outfits), 1.5X, 2.0X
	无穷远金相镜头 Infinite farness metallographic lens	Nikon, Olympus, Mitutoyo
	底座 Stands	SD1-D ~ SD17-D

注: 本镜头 (使用1X平场CCD接头时) 特别适用于二维、三维测量。

NOTE: Especially suitable for two-dimensional, three-dimensional measurement systems while matched with 1X plane CCD adapter.